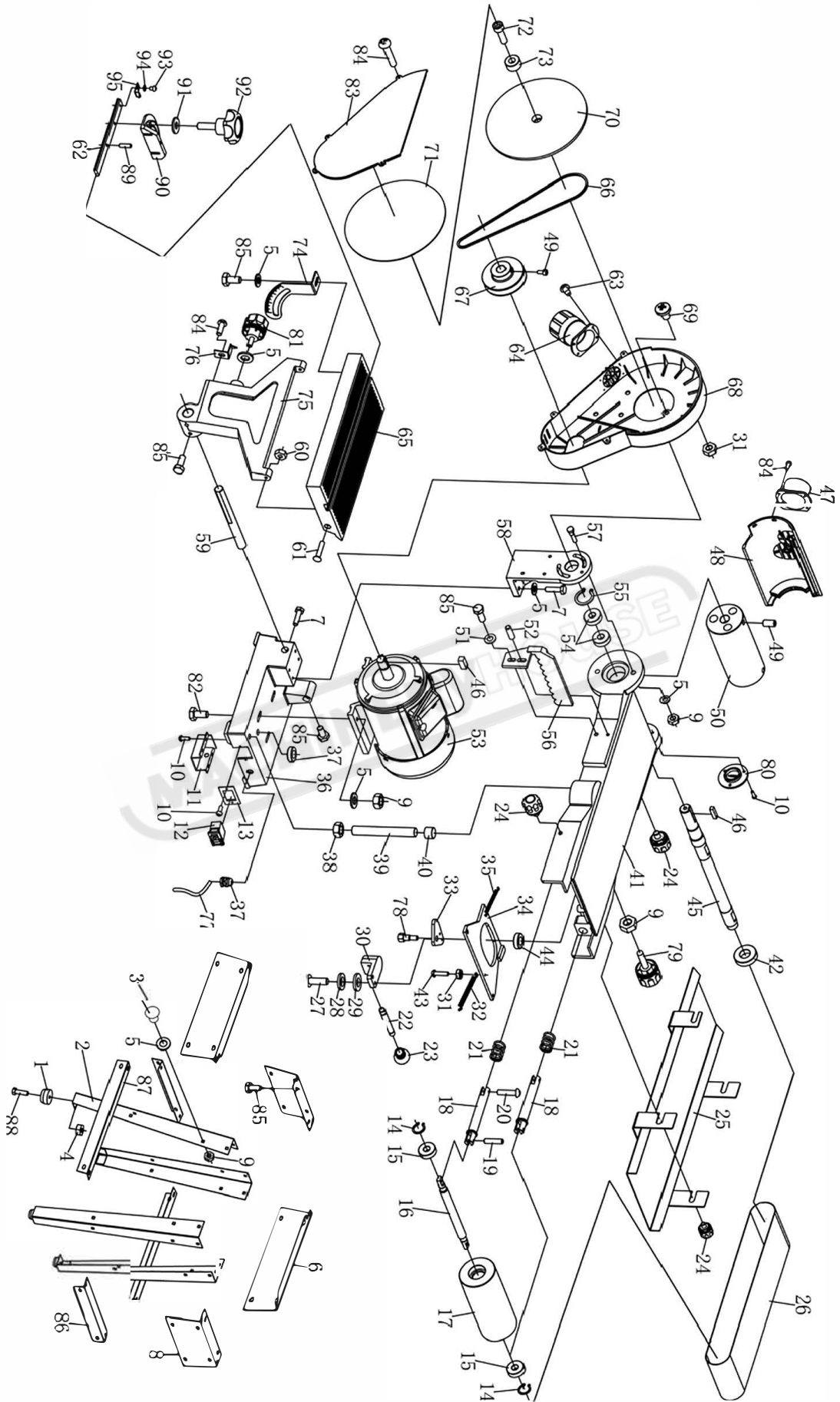


# PARTS DIAGRAM



SPARE PARTS LIST

- 1# RUBBER WASHER
- 2# STAND
- 3# BOLT M8X12
- 4# NUT M6
- 5# WASHER
- 6# STAND BRACKET
- 7# BOLT M8X30
- 8# STAND BRACKET
- 9# NUT M8
- 10# SCREW M4X8
- 11# SWITCH BOX
- 12# SWITCH
- 13# SWITCH PLATE
- 14# RETAINING RING
- 15# BALL BEARING
- 16# ROLLER SHAFT
- 17# IDLER ROLLER
- 18# ROLLER ADJUST BAR
- 19# PIN
- 20# SCREW M5X16
- 21# SPRING
- 22# ADJUST BAR
- 23# KNOB
- 24# TIGHT KNOB
- 25# LOWER COVER
- 26# SAND BELT
- 27# INNER HEX.BOLT M5X16
- 28# WASHER
- 29# SPRING WASHER
- 30# ADJUST BLOCK
- 31# NUT M4
- 32# SPRING
- 33# ADJUST PLATE
- 34# ADJUST PLATE
- 35# SPRING
- 36# BASE
- 37# CABLE CLAMP
- 38# NUT M16
- 39# SUPPORT BAR

40# RUBBER SLEEVE  
41# SAND BELT FRAME  
42# BALL BEARING  
43# SCREW M4X12  
44# WASHER  
45# DRIVING ROLLER SHAFT  
46# KEY  
47# OUTLET  
48# ROLLER COVER  
49# SCREW M8X12  
50# DRIVING ROLLER  
51# BACK STOP  
52# PIN  
53# MOTOR  
54# BALL BEARING  
55# RETAINING RING  
56# WASHER  
57# SCREW  
58# BRACKET  
59# TABLE SUPPORT BAR  
60# SCREW M6  
61# SCREW M6X30  
62# MITER GAUGE  
63# SCREW  
64# CONNECTOR \*\*\*  
65# TABLE  
66# BELT  
67# MOTOR PULLEY  
68# PULLEY COVER  
69# SCREW  
70# SCREW  
71# PULLEY  
72# SAND PAPER  
73# SAND PAPER  
74# SCREW M6X10  
75# WASHER  
76# ANGLE GAUGE  
77# TABLE SUPPORT BRACKET  
78# POINTER



79#	PLUG
80#	BOLT
81#	ADJUST KNOB
82#	COVER
83#	KNOB
84#	BOLT
85#	PULLEY COVER
86#	SCREW M4X16
87#	BOLT M8X16
88#	STAND BRACKET
89#	STAND BRACKET
90#	HEX. BOLT

**MACHINERYHOUSE**